


[Simplified Adjustments] XY-Axis, Rack & Pinion

[Standard] XY-Axis Dovetail Slide, Rack & Pinion

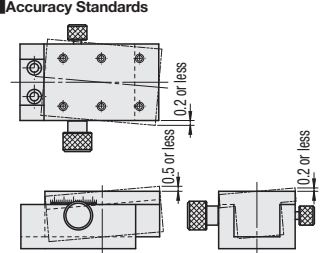
Rectangular / Low Profile

■ **Features:** Rack & Pinion mechanism enables rapid and large distance adjustments.

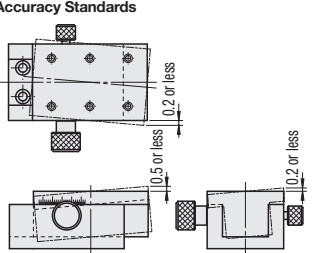
■ **XY-Axis**



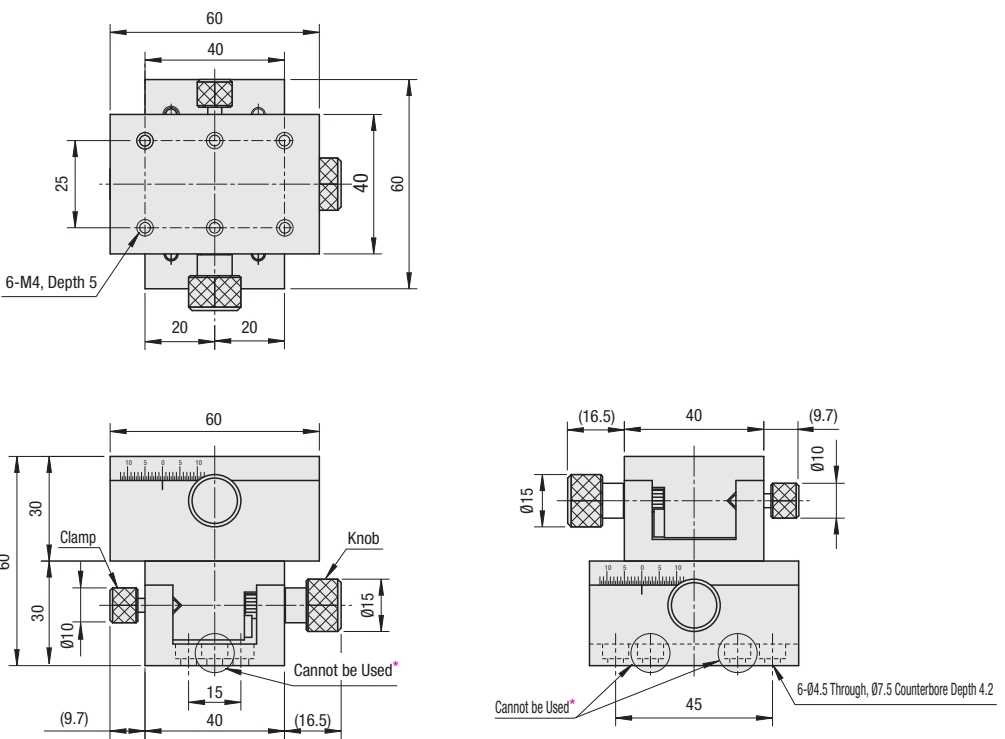
■ **Accuracy Standards**



■ **Accuracy Standards**



■ **XY-KRG60**



ⓧ X-Axis P.1902
ⓧ Z-Axis P.1953

ⓧ Travel per Rotation: approx. 19mm

ⓧ There are some mechanical clearances as shown above, and not recommended for positioning applications requiring accuracies. Values are for single-axis configuration.

ⓧ There are some mechanical clearances as shown above, and not recommended for positioning applications requiring accuracies. Values are for single-axis configuration.

ⓧ Not suitable for precise positioning (See Accuracy Standards Chart)
ⓧ Minimum Graduation: 0.5mm (Dimensions when scale is set at 0)
ⓧ These counterbored holes are NOT useable since permanently covered by the table top plate. (For XY Stacking)

ⓧ Material: Aluminum Alloy
ⓧ Surface Treatment: Black Anodize
ⓧ Accessory: Hex Socket Low Head Cap Screw (P.194, CBS4-6) 4 pcs.

Part Number Type	No.	Stage Surface (mm)	Travel Distance (mm)	Load Capacity (N)	Weight (kg)	Unit Price
XYKRG	60	40x60	±14	34.3	0.42	

ⓧ Travel per Rotation: Approx. 19mm ⓧ For orders larger than indicated quantity, please request a quotation.


Ordering Example Part Number
XYKRG60

ⓧ P.1937, ⓧ P.1938

Points on Similar Product Comparison | Travel Accuracy (Straightness) 50µm

■ **Features:** Rapid feed Rack & Pinion stages with less accuracy and more economical prices than existing products.

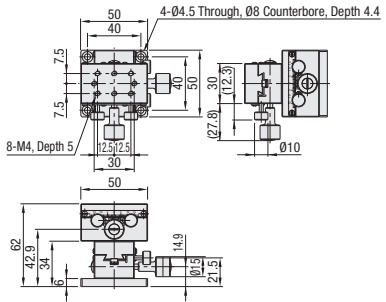
■ **XY-Axis**



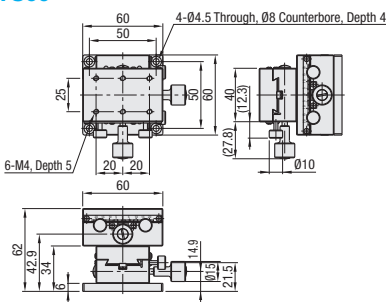
ⓧ X-Axis P.1903
ⓧ Z-Axis P.1953

RoHS10

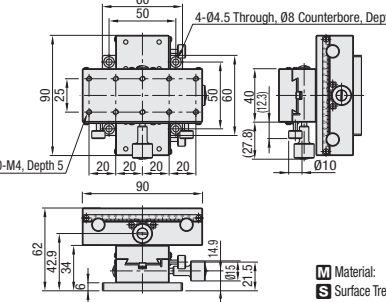
■ **XYDTS50**



■ **XYDTS60**



■ **XYDTS90**



ⓧ Material: Aluminum Alloy
ⓧ Surface Treatment: Black Anodize

■ **XY-Axis Stages** ⓧ High Precision Stage Existing Product: XYWG (P.1937)

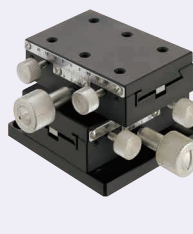
Part Number Type	No.	Stage Surface (mm)	Travel Distance (mm)	Travel per Rotation (mm)	Load Capacity (N)	Travel Accuracy Straightness	Weight (kg)	Unit Price
XYDTS	50	30x30	±16	16.7	24.5	50µm	0.39	
	60	40x60	±21				0.52	
	90	40x90	±35				0.72	

ⓧ Resolution (Vernier Scale Indication): 0.1mm/division
ⓧ Knob Cover HDCR15 (Sold Separately). ⓧ 015 knobs can be increased in diameter by installing the cover. ⓧ P.2004
ⓧ Travel accuracy values shown are for single axis configuration. ⓧ For orders larger than indicated quantity, please request a quotation.

Ordering Example Part Number
XYDTS60

■ **XY-Axis, Low Profile**

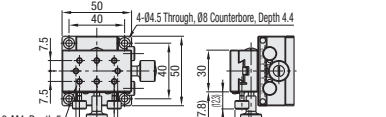
■ **XY-Axis, Low Profile**



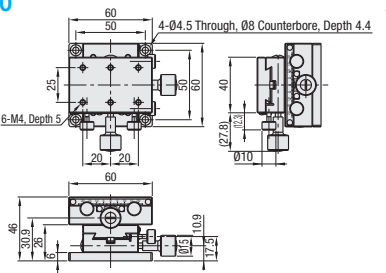
ⓧ X-Axis P.1903
ⓧ Z-Axis P.1953

RoHS10

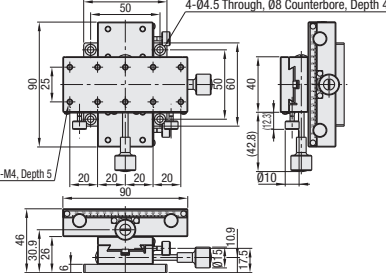
■ **XYDTS50**



■ **XYDTS60**



■ **XYDTS90**



ⓧ Material: Aluminum Alloy
ⓧ Surface Treatment: Black Anodize

ⓧ See the CAD data for details.
ⓧ Please note that the mounting plate and the bottom feed knob may interfere when the bottom plate is removed for use.

■ **XY-Axis Stages** ⓧ Standard Type: XYDTS (P.1938)

Part Number Type	No.	Stage Surface (mm)	Travel Distance (mm)	Travel per Rotation (mm)	Load Capacity (N)	Travel Accuracy Straightness	Weight (kg)	Unit Price
XYDTS	50	50x30	±15	16.7	24.5	50µm	0.33	
	60	60x40	±20				0.42	
	90	90x40	±35				0.57	

ⓧ Resolution (Vernier Scale Indication): 0.1mm/division
ⓧ Knob Cover HDCR15 (Sold Separately). ⓧ Dovetail Stage 015 knobs can be increased in diameter by installing the cover. ⓧ P.2004
ⓧ Travel accuracy values shown are for single axis configuration. ⓧ For orders larger than indicated quantity, please request a quotation.

Ordering Example Part Number
XYDTS90