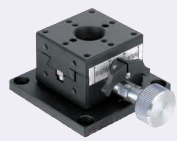


[High Precision] X-Axis Dovetail Slide, Rack & Pinion

Square, Coarse/Fine Feeds

Features: Square form factor Dovetail Slide Rack & Pinion stage. The 40 and 60 sizes can be ordered with the bottom plates removed, as alterations.

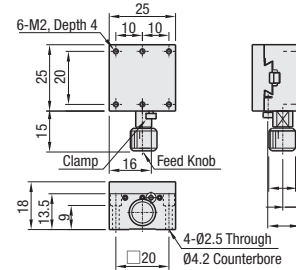
X-Axis, Square



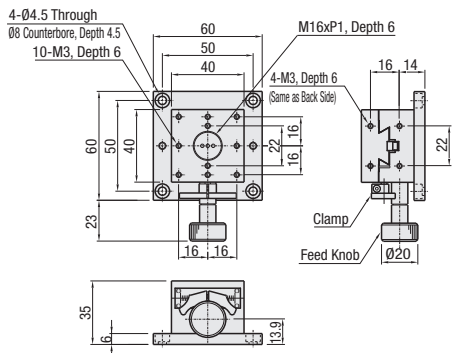
XY-Axis P1940
Z-Axis P1957



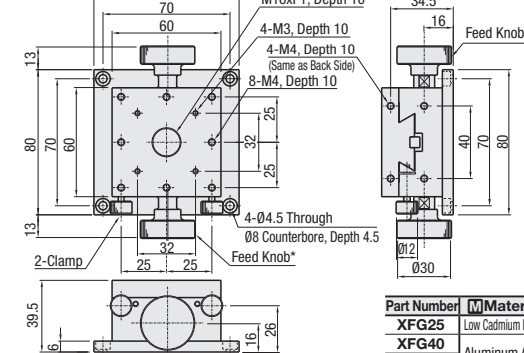
XFG25



XFG40



XFG60*



Part Number	Material	Surface Treatment
XFG25	Low Cadmium Brass	Black Fluororesin Treatment
XFG40	Aluminum Alloy	Black Anodize
XFG60	Aluminum Alloy	Black Anodize

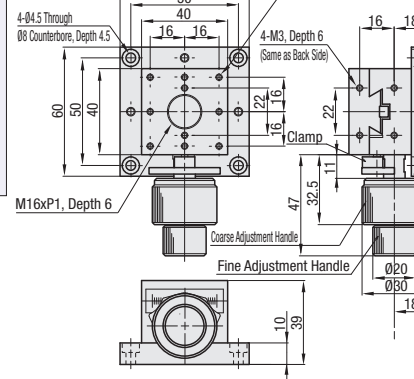
* The feed knob for XFG60 can be operated from either side.

Features: Square form factor Dovetail Slide Rack & Pinion stage with Coarse/Fine combination feeds. The coarse feed knob provides approx. 18mm travel, and the fine feed knob provides approx. 2.3mm travel per one knob rotation.

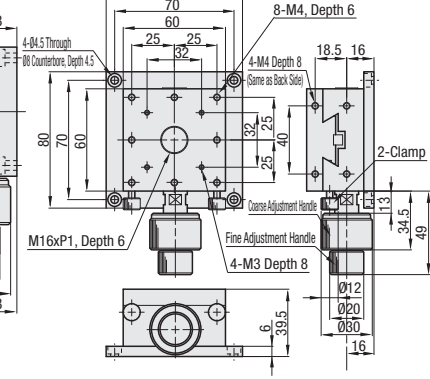
X-Axis, Coarse/Fine Feeds



XSFG40



XSFG60



Material: Aluminum Alloy
Surface Treatment: Black Anodize

Part Number Type	Stage Surface (mm)	Travel Distance (mm)	Travel per Rotation (mm)		Load Capacity (N)		Travel Accuracy (µm)			Moment Load Capacity (N·m)			Weight (kg)	Accessory (4 pcs.) Type M-L	Unit Price	
			Coarse	Fine	Horizontal	Vertical	Straightness	Motion Parallelism	Pitching	Yawing	Rolling	Parallelism (µm)				
XFG	25	25x25	±5	17	-	6.9	30	80	0.5	0.5	0.5	50	0.09	SCB2-12		
	40	40x40	±10	20	-	29.4	14.7	20	30	3.0	3.0	2.0	40	0.21	SCB4-6	
	60	60x60	±20	18	-	39.2	19.6	30	50	7.0	5.0	7.0	60	0.64	SCB4-6	
XSFG	40	40x40	±10	20	≈2.6	29.4	14.7	20	30	3.0	3.0	2.0	40	0.30	SCB4-10	
	60	60x60	±20	18	≈2.3	39.2	19.6	30	50	7.0	5.0	7.0	60	0.51	SCB4-6	

Resolution (Vernier Scale Indication): 0.1mm/division

For orders larger than indicated quantity, please check with WOS.

Ordering Example: Part Number XFG40 XSFG60

Alteration	Part Number - (M)	See the CAD data for details.
No Bottom Plate	XSG40 - M	
Spec.	XFG40, XSFG40 4-Ø3.5 Through (From Back), Ø6 Counterbore, Depth 10 (M3 Screw Hole)	XFG60, XSFG60 2-Ø4.5 Through (From Back), Ø8 Counterbore, Depth 6 (M4 Screw Hole)
Code	M	

Not applicable to XFG25.
The feed knobs will interfere with the mating bases.

[Simplified Adjustments] X-Axis, Feed Screw, Large Lead (3.0mm)

Standard/Large Handle, M6 Mounting Holes

Features: A feed screw type simplified adjustment unit with a 3.0mm 3-starts screw. Suitable for rapid feeding such as making quick fixture moves during set-up changes. Types with M6 mounting holes on the top plate are also available.

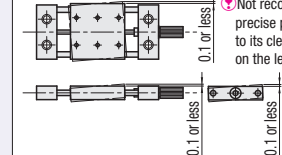
X-Axis Large Lead



XY-Axis P1941

Travel per Rotation: 3.0mm

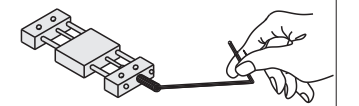
Accuracy Standards



Not recommended for precise positioning due to its clearance shown on the left.

One Point

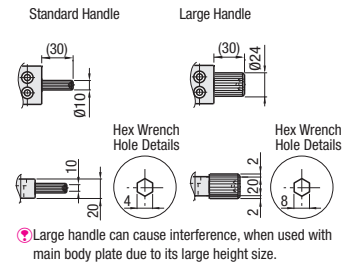
Long stroke moves can be made easily with use of a ball-point hex wrench.



	Type	Main Body	Shaft	Knob	Feed Screw	Accessory		
	Standard Handle	Large Handle	Material	Material	Material			
M4 Mounting Hole	XKS	XKSL	Aluminum Alloy	Black Anodize	EN 1.4301 Equiv.	EN 1.4305 Equiv.	EN 1.4301 Equiv.	SCB5-20, 4pcs.
M6 Mounting Holes	XKSM	XKSML						

XKS (Standard Handle, M4 Mounting Holes) XKSM (Standard Handle, M6 Mounting Holes)
XKSL (Large Handle, M4 Mounting Holes) XKSML (Large Handle, M6 Mounting Holes)

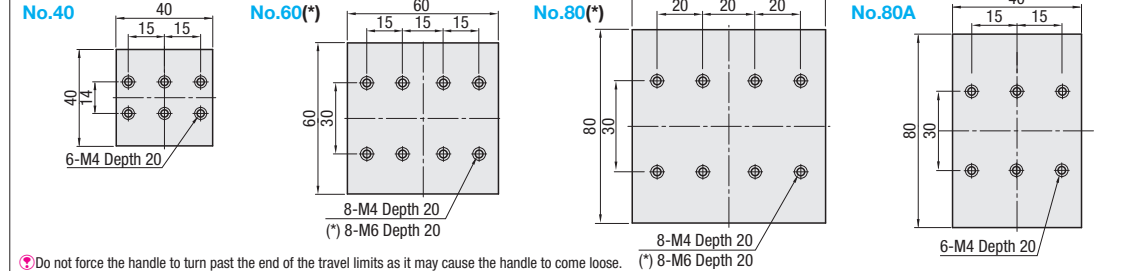
Handle Shape Comparisons



Large handle can cause interference, when used with main body plate due to its large height size.

Table surfaces and bottoms are 0.5mm higher than the end mounts.

Stage Top Mounting Hole Dimensions



Do not force the handle to turn past the end of the travel limits as it may cause the handle to come loose.

Part Number Type	No.	Z Selection Travel Distance (Zx2)	Stage A-B (mm)	D	P	Load Capacity (N)	Unit Price			
							XKS	XKSM	XKSL	XKSML
XKS XKSL	40	25	40x40	10 (Standard Handle) 24 (Large Handle)	14	68.6				
		40	58.8							
		50	68.6							
	60	25	60x60			58.8				
		40	63.7							
		50	53.9							
XKSM XKSML	80A	25	80x80	30	68.6					
		40	58.6							
		50	68.6							
	60	25	60x60		58.8					
		40	58.8							
		50	49.0							

Travel per Rotation: 3.0mm

For orders larger than indicated quantity, please request a quotation.

Ordering Example: Part Number XKSL60 - Z50

Alterations: Part Number - (Z Selection) - (MMR, CLC)
XKSM80 - Z50 - MMR

Alteration	Mounting of a Scaled Plate on the Stage	Change of Clamp (Knurled Knob)
Spec.	Mounts a scaled plate on the stage. Minimum Graduation: 0.5mm. Scaled Plate alteration will change the mounting hole pitch since a plate is attached to the stage. Material: Aluminum Alloy. Surface Treatment: Black Anodize. Accessory: SCB4-8 x 4 pcs.	Changes Clamp Screw to Knurled Knob.
Code	MMR	CLC