


[Simplified Adjustments] X-Axis, Feed Screw, Side Clamp Units / Key Guide Units

[Standard] Dovetail Slide, Feed Screw / Rapid Feed Screw

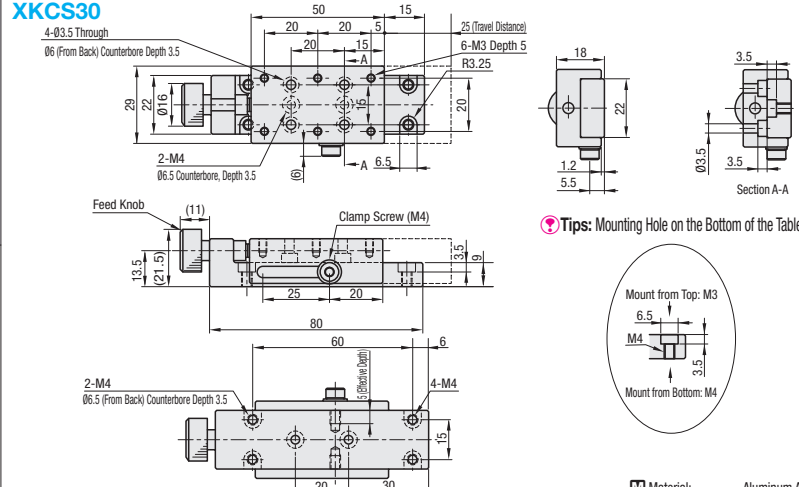
P.1897, P.1899, P.1900

Features: Strong side clamp enables desirable mounting of workpieces. Screws with captured spring washers are provided for the clamp providing preload.



RoHS10

XKCS30



Accuracy Standards (Ref.)

Top Surface: $22^{+0.02}_0$

Bottom Surface: $22^{-0.02}_{-0.04}$

Tips: Mounting Hole on the Bottom of the Table

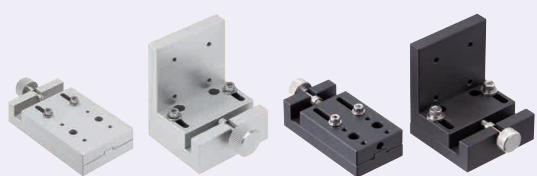
Material: Aluminum Alloy
Surface Treatment: Black Anodize

Vertical (Z-axis) and reversed applications may cause the upper surface being detached or falling off, thus not recommended.

Part Number Type	No.	Stage Surface (mm)	Travel Distance (mm)	Travel per Rotation (mm)	Load Capacity (N)	Weight (kg)	Unit Price
XKCS	30	29x50	25	0.8	9.8	0.1	

Ordering Example
Part Number: **XKCS30**

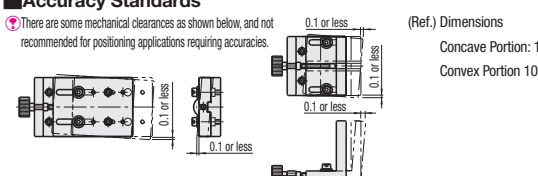
Features: Simplified Adjustment Units utilizing key guides (convex surface). Screw mounting enables strong clamp, and a scale label is included.



XY-Axis P.1931

Accuracy Standards

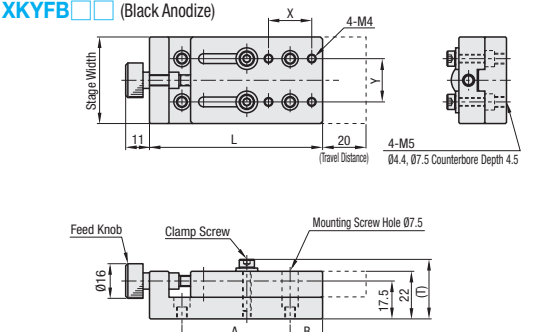
There are some mechanical clearances as shown below, and not recommended for positioning applications requiring accuracies.



(Ref.) Dimensions
Concave Portion: $10^{+0.1}_0$
Convex Portion $10^{-0.1}_0$

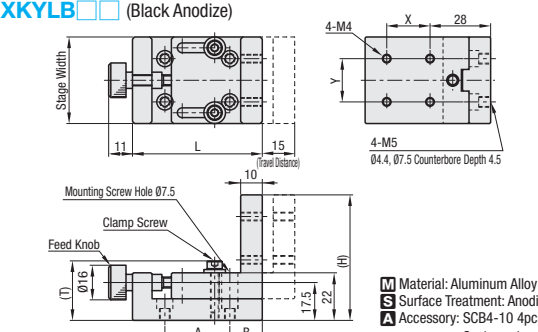
Flat Type

XKYF (Clear Anodize)
XKYFB (Black Anodize)



L-Shaped Type

XKYL (Clear Anodize)
XKYL B (Black Anodize)



Material: Aluminum Alloy
Surface Treatment: Anodized
Accessory: SCB4-10 4pcs. Scale seal


Part Number Type	No.	Stage Width	Travel Distance (mm)	Travel per Rotation (mm)	A	B	H	L	T	X	Y	Clamp Screw	Load Capacity (N)	Weight (kg)	Unit Price
XKYF	XKYFB	40	40	20	50	15	-	80	(27.5)	20	20	M4	19.6	0.18	
		60	60	15	60	25	-	100	(29)	30	30	M5	39.2	0.34	
XKYL	XKYL B	40	40	15	30	15	58	60	(27.5)	20	20	M4	9.8	0.18	
		60	60	15	30	15	73	60	(29)	30	30	M5	19.6	0.28	

Ordering Example
Part Number: **XKYF40**
XKYL B60

Points on Similar Product Comparison | Travel Accuracy (Straightness) 50µm

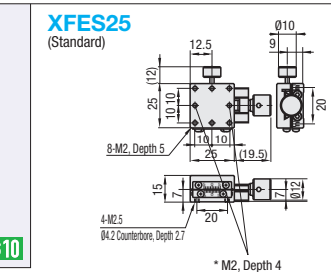
Features: Stages with 0.5mm fine lead.

X-Axis

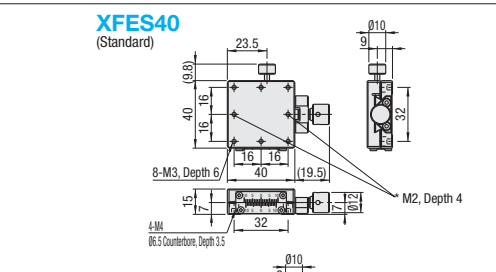


RoHS10

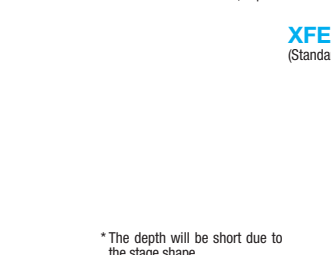
XFES25 (Standard)



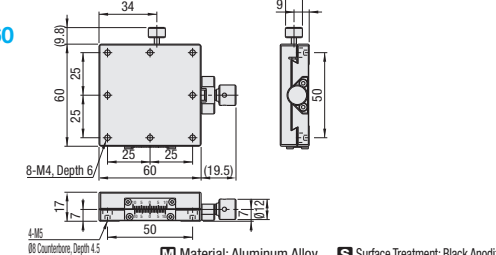
XFES40 (Standard)



XFES60 (Standard)



XFES40 (Standard)




Material: Aluminum Alloy
Surface Treatment: Black Anodize

Type	Part Number	Clamp Position	Stage Surface (mm)	Travel Distance (mm)	Travel per Rotation (mm)	Load Capacity (N)		Travel Accuracy Straightness	Weight (kg)	Unit Price
						Horizontal	Vertical			
XFES	25	No Symbol (Standard)	25x25	±5	0.5	29.4	9.8	50µm	0.04	
	40	R (Right/Left Reversed)	40x40	±7						
	60	R (Right/Left Reversed)	60x60	±8						

Resolution (Vernier Scale Indication): 0.1mm/division
Extension Cover HDEXT12-□ (sold separately): Ø12 knobs can be extended by installing the cover. **P.2004**
(Caution) Please note that increased knob diameter may interfere with the stage mounting base surfaces.

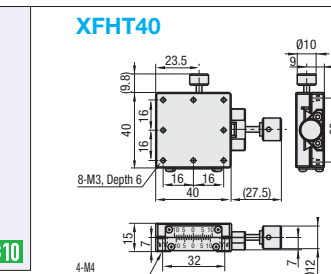
Ordering Example
Part Number: **XFES40**

X-Axis

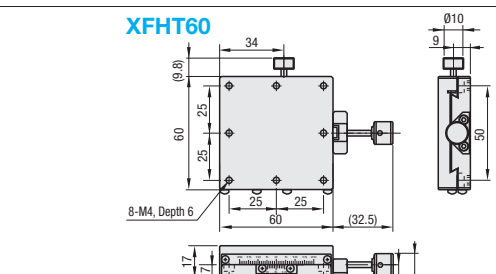


RoHS10

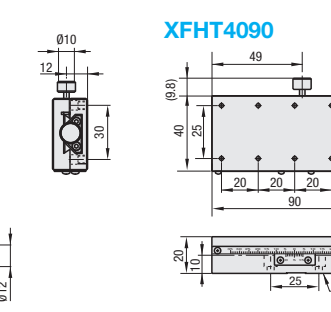
XFHT40



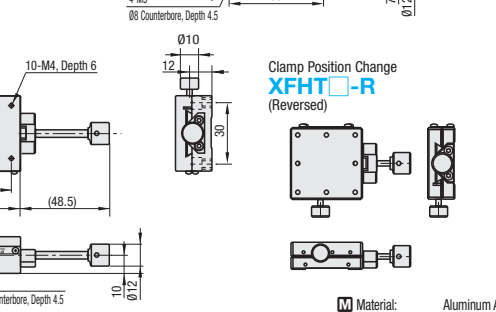
XFHT60



XFHT4060



XFHT4090



Material: Aluminum Alloy
Surface Treatment: Black Anodize

Type	Part Number	Clamp Position	Stage Surface (mm)	Travel Distance (mm)	Travel per Rotation (mm)	Load Capacity (N)		Travel Accuracy Straightness	Weight (kg)	Unit Price
						Horizontal	Vertical			
XFHT	40	No Symbol (Standard)	40x40	±10	4.5	19.6	9.8	50µm	0.06	
	60	R (Right/Left Reversed)	60x60	±20						
	4060	R (Right/Left Reversed)	40x60	±20						
	4090	R (Right/Left Reversed)	40x90	±35						

Resolution (Vernier Scale Indication): 0.1mm/division

Ordering Example
Part Number: **XFHT40**