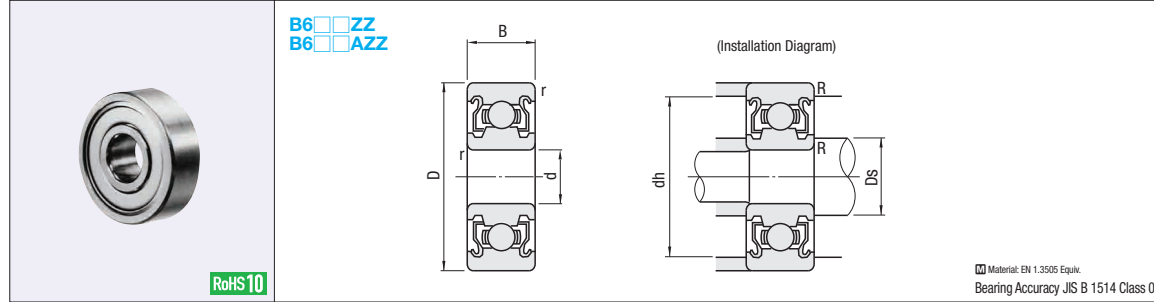


Small Ball Bearings

Double Shielded

This product can be used even when heavy load, high rotation speed, and high rotational accuracy are required. See P.990 for the C-VALUE Product of this item.



Part Number	d	D	B	r (min)	Basic Load Rating		Allowable Rotational Speed rpm (Reference)	Relative Dimensions			Mass (g) (Reference)	Unit Price
					Cr (Dynamic) N	Cor (Static) N		Ds (min)	dh (max)	R (max)		
B682ZZ	2	5	2.3	0.08	169	50	85000	2.7	3.9	0.08	0.17	
B692ZZ		6	3.0		330	98						
B602ZZ	2.5	7	3.5	0.15	385	127	60000	3.2	5.8	0.08	0.58	
B682AZZ		6	2.6		208	74						
B692AZZ	3	7	3.5	0.15	385	127	63000	3.85	5.65	0.15	0.55	
B673ZZ		6	2.5		208	74						
B683ZZ	3	7	3	0.1	390	130	63000	3.9	5.8	0.1	0.45	
B693ZZ		8	4		560	179						
B603ZZ	3	9	5	0.15	570	187	56000	4.2	7.8	0.15	1.45	
B623ZZ		10	4		630	218						
B633ZZ	4	13	5	0.2	1300	485	40000	4.6	11.4	0.2	3.33	
B674ZZ		7	2.5		222	88						
B684ZZ	4	9	4	0.1	640	224	53000	5.0	7.8	0.1	1.01	
B694ZZ		11	4		715	276						
B604ZZ	4	12	5	0.2	957	350	40000	5.6	10.4	0.2	2.29	
B624ZZ		13	5		1300	485						
B634ZZ	5	16	5	0.3	1340	523	36000	6	14	0.3	5.21	
B675ZZ		8	2.5		218	131						
B685ZZ	5	11	5	0.15	715	281	45000	6.2	9.8	0.2	1.96	
B695ZZ		13	4		1080	430						
B605ZZ	5	14	5	0.2	1330	505	40000	7	14	0.3	3.48	
B625ZZ		16	5		1730	670						
B635ZZ	6	19	6	0.3	2336	835	32000	7.6	13.4	0.2	8.34	
B676ZZ		10	3		495	218						
B686ZZ	6	13	5	0.15	1080	440	40000	7.0	11.8	0.15	2.69	
B696ZZ		15	5		1350	530						
B606ZZ	6	17	6	0.3	2190	835	38000	8	17	0.3	6.08	
B626ZZ		19	6		2340	885						
B636ZZ	8	22	7	0.3	3333	1423	30000	9.6	14.4	0.2	14.5	
B678ZZ		12	3.5		543	274						
B688ZZ	8	16	5	0.2	1610	710	36000	9.6	14.4	0.2	4.02	
B698ZZ		19	6		1990	865						
B608ZZ	8	22	7	0.3	3350	1400	28000	10	22	0.3	12	
B628ZZ		24	8		4000	1590						
B638ZZ	8	28	9	0.3	4563	1983	28000	10	26	0.3	30.3	

kgf=Nx0.101972

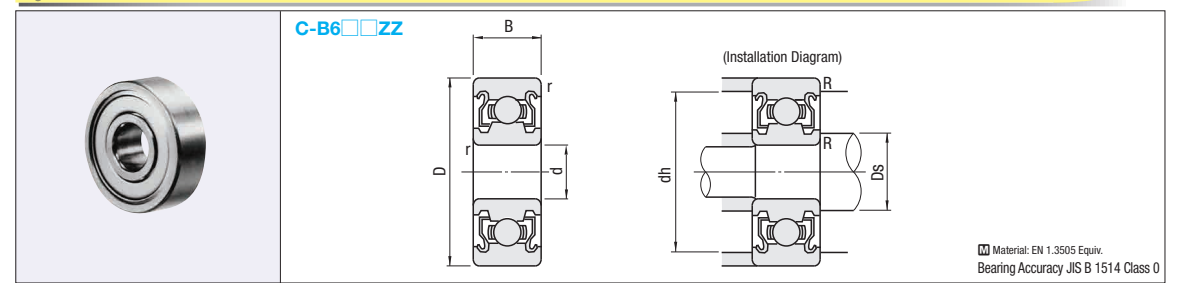


[Medium Accuracy] Small Ball Bearings

Double Shielded

Similar Products Page P.989

Similar Products Comparison Points | Products designed for light load, intermediate and low rotation speed, and medium rotational accuracy applications. See P.987 for the description of C-VALUE Products.



Part Number	d	D	B	r (min)	C-VALUE Products Check Point ① Basic Load Rating		Allowable Rotational Speed rpm (Reference)	Relative Dimensions			Mass (g) (Reference)	Unit Price
					Cr (Dynamic) N	Cor (Static) N		Ds (min)	dh (max)	R (max)		
C-B682ZZ	2	5	2.3	0.08	146	52	85000	2.7	3.9	0.08	0.17	
C-B692ZZ		6	3		270	90						
C-B673ZZ	2.5	6	2.5	0.1	146	52	71000	3.6	5.4	0.08	0.2	
C-B683ZZ		7	3		273	91						
C-B693ZZ	3	8	4	0.15	392	125	60000	4.2	6.8	0.15	0.83	
C-B603ZZ		9	5		400	132						
C-B623ZZ	3	10	4	0.15	441	153	50000	4.6	6.4	0.08	1.66	
C-B674ZZ		7	2.5		155	62						
C-B684ZZ	4	9	4	0.1	448	157	53000	5.2	9.8	0.15	1.01	
C-B694ZZ		11	4		501	193						
C-B604ZZ	4	12	5	0.2	670	245	40000	6	14	0.3	2.29	
C-B624ZZ		13	5		910	340						
C-B634ZZ	5	16	5	0.3	938	366	36000	5.8	7.4	0.1	5.21	
C-B675ZZ		8	2.5		153	92						
C-B685ZZ	5	11	5	0.15	501	197	45000	6.6	11.4	0.2	1.96	
C-B695ZZ		13	4		756	301						
C-B605ZZ	5	14	5	0.2	931	354	40000	7	17	0.3	3.48	
C-B625ZZ		16	5		1211	469						
C-B635ZZ	6	19	6	0.3	1635	627	32000	7.6	13.4	0.2	8.34	
C-B676ZZ		10	3		347	153						
C-B686ZZ	6	13	5	0.15	756	308	40000	8	15	0.3	2.69	
C-B696ZZ		15	5		945	371						
C-B606ZZ	6	17	6	0.3	1533	585	38000	9.05	11.33	0.1	6.08	
C-B626ZZ		19	6		1638	620						
C-B678ZZ	8	12	3.5	0.1	380	192	40000	9.6	14.4	0.2	4.02	
C-B688ZZ		16	5		1127	497						
C-B698ZZ	8	19	6	0.3	1393	606	34000	10	22	0.3	12	
C-B608ZZ		22	7		2345	980						
C-B628ZZ	8	24	8	0.3	2800	1113	28000	10	26	0.3	30.3	
C-B638ZZ		28	9		3194	1388						

kgf=Nx0.101972

C-VALUE Products Check Point ②

I.D. d (mm)	Clearance of MISUMI Similar Products (µm)		Clearance of C-VALUE Products (µm)	
	over	or less	Min.	Max.
Less than 10			5	10
			7	15

<Precautions for Use of C-VALUE Products>

- This product is C-VALUE Product. For detailed description of C-VALUE Products, see P.987. For similar products of this product, see the left page.
- This is a product designed exclusively for light load, intermediate and low rotation speeds, and medium rotational accuracy applications.
- Be sure to read the C-VALUE Products Check Point ① and ② before using this product. The internal clearance and the load rating of this product are different from that of normal similar products.
- Do not use in areas with heavy load, high speed, or that requires high rotational accuracy.

