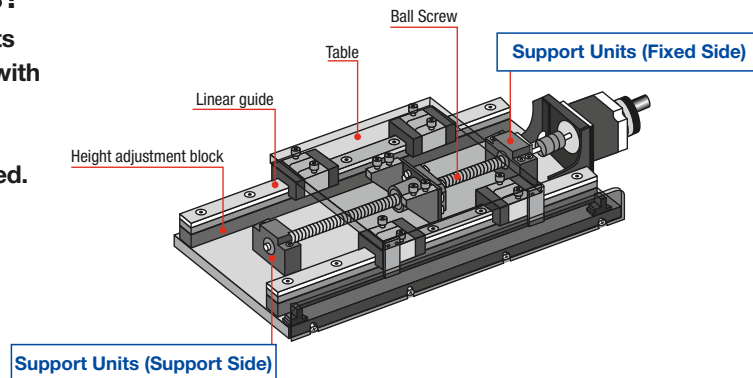


Overview of Support Units

Technique and Structure

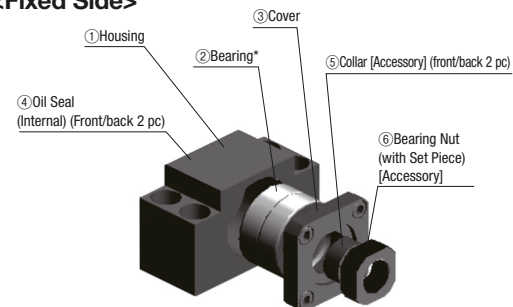
What are Support Units?

- Dedicated bearing components that are always used as a set with ball screws.
- Angular contact bearings that receive large axial load are used.



Structure of Support Units

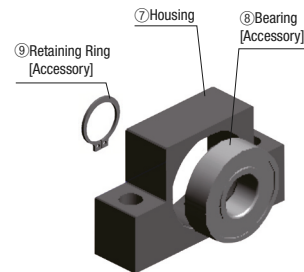
<Fixed Side>



Performance	Number	Part Name	Package Unit
Fixed Side	①	Housing	Main Body Package
	②	Bearing*	
	③	Cover	
	④	Oil Seal	Accessory Package
	⑤	Collar 2 pcs.	
	⑥	Bearing Nut	

*Accuracy differs among bearing type. For details, refer to the next page.

<Support Side>

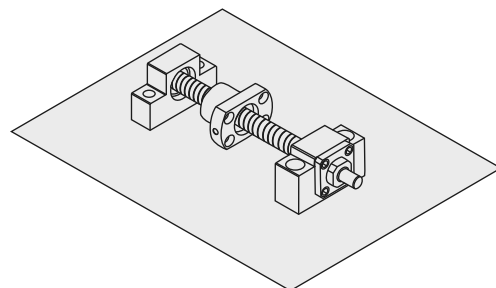


Performance	Number	Part Name	Package Unit
Support Side	⑦	Housing	Main Body Package
	⑧	Bearing	
	⑨	Retaining Ring	Accessory Package

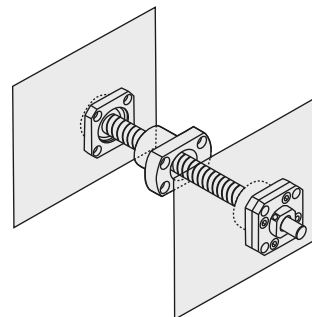
***Do not disassemble the unit of fixed side ① to ④, as they must remain as assembled units!**

Shape of Support Units and Mounting Examples

Square



Round

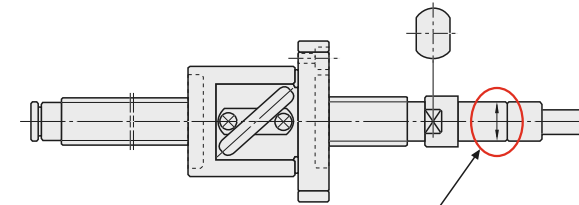


Combination with MISUMI Ball Screws

Combination of Ball Screws and Support Units

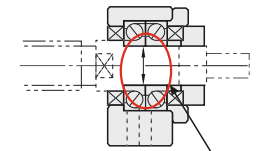
When selecting Support Units for Ball Screws, note that it can be combined if dimensions of bearing installation part on Fixed Side of the Ball Screw [Fig. 1] and bearing I.D. of the Support Unit [Fig. 2] are the same.

[Fig. 1] <Example of Ball Screw BSS1505>



Bearing Installation Part on Ball Screw Fixed Side

[Fig. 2] <Example of Support Unit BSW12>



Support Units Bearing I.D.

Ball Screw Part Number	Accuracy Grade C3	BSX0601	-	BSX0801 BSX0802 BSX1002	-	BSX1202 BSX1205	BSX1505	-	-	-
	Accuracy Grade C5	-	BSS1002 C-BSS1002	BSS0802 BSS1202	BSS1004 BSS1205 BSS1204 BSS1210	BSS1010	Step ① BSS15□□ C-BSS15□□	BSS20□□ C-BSS20□□	BSS25□□ C-BSS25□□	-
Accuracy Grade C7	BSST0802	BSSE1002 BSST1004	BSSE0802 BSSE1202	BSSE1004 BSSE1205 BSSE1210 BSST1204	-	BSSE15□□ BSST15□□	BSSE20□□ BSST20□□	BSSE25□□ BSST25□□	-	
Accuracy Grade C10	BSSR08□□ BSSZ08□□ BSSC08□□ C-BSSC08□□	BSSR10□□ BSSZ10□□ BSSC10□□ C-BSSC10□□	-	BSSR12□□ BSSZ12□□ BSSC12□□ C-BSSC12□□	BSSR14□□ BSSZ14□□	BSSR15□□ BSSZ15□□ BSSC15□□ C-BSSC15□□	BSSR20□□ BSSZ20□□ BSSC20□□ C-BSSC20□□	BSSR25□□ BSSZ25□□ BSSC25□□ C-BSSC25□□	BSSR32□□ BSSZ32□□	
Fixed Side Shaft Dia. of Ball Screws (Bearing Installation Part)	∅6	∅8		∅10		Step ② ∅12	∅15	∅20	∅25	
Support Units (Bearing I.D.)	No.6	No.8S	No.8	No.10S	No.1022 No.10	Step ③ No.12	No.152□ No.15*	No.20*	No.25	
	No.6L	-	-	-	-	-	-	-	-	

[Example]

- Step ①** Confirm that shaft diameter of the Ball Screw is 15.
- Step ②** Confirm that dimension of the bearing installation part on fixed side of the Ball Screw is ∅12.
- Step ③** Determine that corresponding bearing I.D. of the Support Unit is No.12.

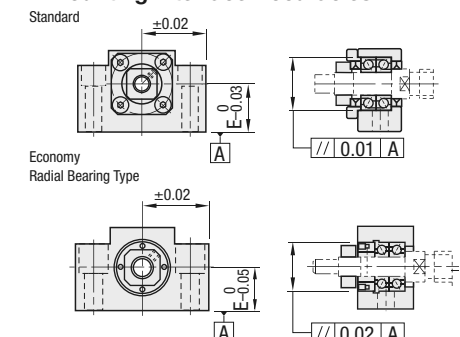
* Except C-BSFW15,20, C-BUFW15,20

Combination of Fixed Side and Support Side Support Units

Type	Type	Fixed Side	Page	Support Side	Page
Square	Standard	BSW	P.761	BUN	P.762
		BSWN		BUNM	
	C-VALUE	C-BSW	P.763/765	C-BUN	P.764/766
		C-BSFW*		C-BUFW*	
	Economy	BSWE	P.775	BUN	P.762
		BSWEM		BUNM	
	Radial Bearing Type	BSWZ	P.775	BUN	P.762
		BSWZM		BUNM	
	Compact	BSQ	P.771	BUQ	P.772
		BSQM		BUQM	
Low Profile Type	BSV	P.771	BUV	P.772	
	BSVM		BUVM		
Narrow Mounting Hole Pitch Type	BSA	P.771	BUA	P.772	
	BSAM		BUAM		
with Dowel Holes	BSWG	P.773	BUN	P.762	
	BSWGN		BUNM		
with Damper	BSWD	P.773	BUN	P.774	
	BSWD		BUND		
Round	Standard	BRW	P.767	BUR	P.768
		BRWN		BURM	
	C-VALUE	C-BRW	P.769	C-BUR	P.770
		C-BRW		C-BUR	
	Economy	BRWE	P.776	BUR	P.768
		BRWEM		BURM	
Radial Bearing Type	BRWZ	P.776	BUR	P.768	
	BRWZM		BURM		

* Excludes C-BSFW15,20, C-BUFW15,20.

Support Units - Square (Fixed Side) Mounting Interface Accuracies



Support Units - Round (Fixed Side) Mounting Interface Accuracies

