


# Shaft Collar Wedge

## 2-Hole / 2-Tapped (Coarse) / 3-Hole / 3-Tapped (Coarse)

■ **Features:** Less tightening force is required for clamping compared to the conventional clamp types. No constraints on tightening sequence.

■ **2-Hole Type**  
■ **2-Tapped (Coarse) Type**



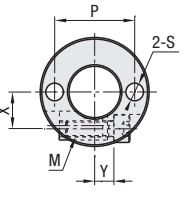
RoHS10

Type	Shaft Collar		Wedge	Accessory
2-Hole	2-Tapped	Material	Surface Treatment	Material
SCWM	SCWW	EN 1.1191	Black Oxide Coating	EN 1.4301 Equiv.
PSCWM	PSCWW	EN 1.1191 Equiv.	Electroless Nickel Plating	EN 1.4301 Equiv.
SSCWM	SSCWW	EN 1.4301 Equiv.	-	EN 1.4301 Equiv.

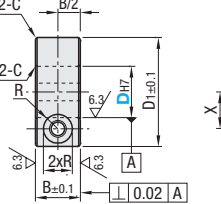
Maximum thrust loads obtained by tightening test are shown on P284.

\*D10-D25: C0.5  
D30-D50: C1

**2-Hole**




**2-Tapped (Coarse)**



Part Number Type	D	D1	B	P	X	Y	S	M	M1	R	Unit Price			
											SCWM	PSCWM	SSCWM	
(2-Hole) SCWM PSCWM SSCWM	10	25	10	18	8.5	3.5	4.5	4	4	4				
	12	28		20	9.5	5								
	15	30		23	11	4.5								
	(2-Tapped) SCWW PSCWW SSCWW	16	34	12	25	11.5	6	5.5	5	5	4.5			
		20	38		29	13.5	7							
25		44	34		16	9								
30		48	15	39	18.5	8								
35		56		46	22	9.5	6.6	5	-	-	-	-		
40	68	54		24.5	18	9	5	-	-	-	-			
50	78	64	29.5	19	-	-	-	-	-	-	-			

⊕ C (O.D./I.D. Chamfers) will be 1.0 for D30 or more.

■ **3-Hole Type**  
■ **3-Tapped (Coarse) Type**



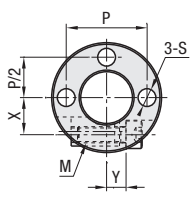
RoHS10

Type	Shaft Collar		Wedge	Accessory
3-Hole	3-Tapped	Material	Surface Treatment	Material
SCWT	SCWR	EN 1.1191	Black Oxide Coating	EN 1.4301 Equiv.
PSCWT	PSCWR	EN 1.1191 Equiv.	Electroless Nickel Plating	EN 1.4301 Equiv.
SSCWT	SSCWR	EN 1.4301 Equiv.	-	EN 1.4301 Equiv.

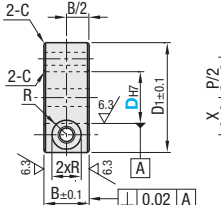
Maximum thrust loads obtained by tightening test are shown on P284.

\*D10-D25: C0.5  
D30-D50: C1

**3-Hole**



**3-Tapped (Coarse)**



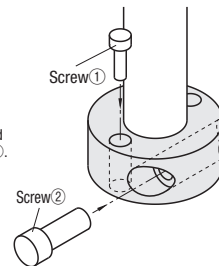
Part Number Type	D	D1	B	P	X	Y	S	M	M1	R	Unit Price			
											SCWT	PSCWT	SSCWT	
(3-Hole) SCWT PSCWT SSCWT	10	25	10	18	8.5	3.5	4.5	4	4	4				
	12	28		20	9.5	5								
	15	30		23	11	4.5								
	(3-Tapped) SCWR PSCWR SSCWR	16	34	12	25	11.5	6	5.5	5	5	4.5			
		20	38		29	13.5	7							
25		44	34		16	9								
30		48	15	39	18.5	8								
35		56		46	22	9.5	6.6	5	6	-	-	-		
40	68	54		24.5	18	9	5	8	-	-	-			
50	78	64	29.5	19	-	-	-	-	-	-	-			

⊕ C (O.D./I.D. Chamfers) will be 1.0 for D30 or more.

Ordering Example  
Part Number: SCWM16, PSCWR35

EX Example

⊕ When using the Wedge Type as shown in the diagram on the right, the collar can be fully tightened to the plate first with the screws ① and then the shaft can be clamped using the screw ②.




# Shaft Collar Compact with Clamp Lever

## Wedge - D Cut / Side Mount Hole

■ **Features:** Less tightening force is required for clamping compared to the conventional clamp types. Smaller by up to 22% in width (B dim.) and 25% in O.D. (D1 dim.) than the Standard Type with Clamp Lever (P287).

■ **D Cut**

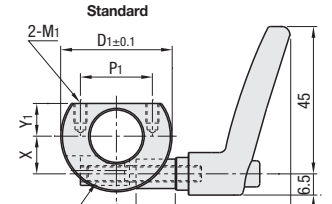


RoHS10

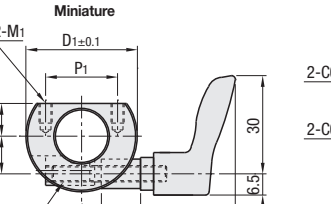
Type	Shaft Collar		Clamp Lever		Lever Threads		Wedge
Standard	Miniature	Material	Surface Treatment	Material	Surface Treatment	Material	Surface Treatment
SCWD	SCWDM	EN 1.1191 Equiv.	Black Oxide Coating	Zinc Diecast	Baked Paint	EN 1.0718 Equiv.	Black Chromate
PSCWD	PSCWDM	EN 1.1191 Equiv.	Electroless Nickel Plating	-	-	EN 1.0718 Equiv.	-
SSCWD	SSCWDM	EN 1.4301 Equiv.	-	-	-	EN 1.4305 Equiv.	-

⊕ Clamp Lever Details P2-1139 Miniature Clamp Lever Details P2-1141

**Standard**



**Miniature**



D	B	D1	M	M1	P1	P2	Y1	Y2	R	X	Y	C
10	14	28	4	M4	18	10	7	9	4	8.5	4.5	11
12		28			18		8	9.5		9.5	4	
15		32			20	9.5	11	11		5.5	11	
16		34	5	M5	22	12	10	12	4.5	11.5	6	12
20		40			25	14	13	14		13.5	8	12
25	45	52			29	18	14.5	16.5		16	9	12
30					30	22	19	19		18.5	11.5	12

Part Number Type	D	Lever Color	D Cut			Side Mount Hole			Lever
			SCWD	PSCWD	SSCWD	SCWJ	PSCWJ	SSCWJ	
Standard Lever	10	M (Orange)							CLDF□(CLFS□)4-7-M/B/S
	12								
	15								
	16								
Miniature Lever	20	S (Silver Grey)						CLDF□(CLFS□)5-7-M/B/S	
	25								
	30								

⊕ Levers in ( ) are applicable to SSCWD□ and SSCWJ□ (stainless steel products). ⊕ C (O.D./I.D. chamfers) will be 1.0 for D30.

Ordering Example  
Part Number: SCWD12, PSCWJ16, SSCWDM16  
Lever Color: B, M, S

⊕ Thickness / O.D. Comparison Table

D	Dimension Differences		Wedge		Standard (P249)	
	B (Thickness)	D1 (O.D.)	B (Thickness)	D1 (O.D.)	B (Thickness)	D1 (O.D.)
10	-4	-7	14	28	18	35
12	-4	-12	14	28	18	40
15	-4	-12	14	32	18	44
16	-4	-12	14	34	18	44
20	-4	-8	14	40	18	48
25	-4	-15	14	45	18	60
30	-4	-18	14	52	18	70