

Slide Rails

Load Rating: 176N ~ 373N/2 pcs.

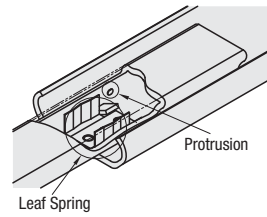
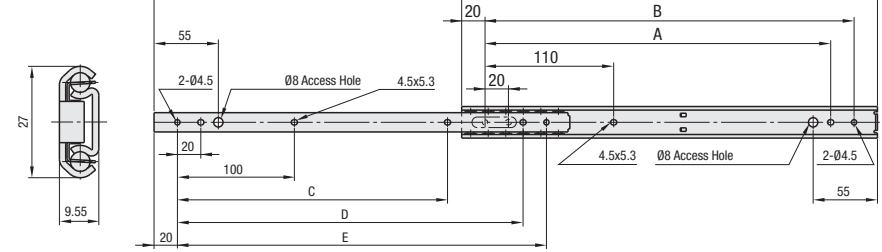
-Stainless Steel · Light Load / Simplified Open-Retention / Simplified Close-Retention-

CAD Data

Features: Interim retention is possible at full open/close. For usage examples, please see P.604

Light Load, Two-Step Telescopic Slide Rails

SSRY27
SSRP27
(Interim Hold-Open Type)



Hold-Open Type
- Lock is released by applying force of 0.5kg or more (reference value) in store direction.
- When the rail is fully pulled out, the plate spring is snap fit in the tab and locked against the retract direction tentatively. This is suitable for operations with drawers opened.
- To use slide rails in vertical or inclined arrangements, use additional external structures to prevent rails from falling.

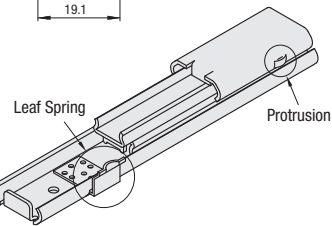
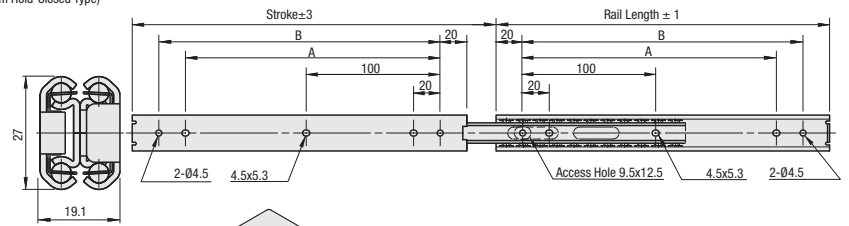
Material: Rail 1.4301/X5CrNi18-10
Ball 1.4125/X105CrMo17

Part Number	Type	No.	Rail Length	Stroke	A	B	C	D	E	Load Rating (N/2 pcs)	SSRY27		SSRP27	
											€ Unit Price	Volume Discount	€ Unit Price	Volume Discount
											1 ~ 5 pcs	6 ~ 19 pcs	1 ~ 5 pcs	6 ~ 19 pcs
		08	203.2	136.1	143.2	163.2	-	143.2	163.2	255				
		10	254	186.9	194	214.0	154	194	214	235				
		12	304.8	225.0	244.8	264.8	194.8	244.8	264.8	235				
		14	355.6	263.1	295.6	315.6	230.6	295.6	315.6	225				
		16	406.4	301.2	346.4	366.4	271.4	346.4	366.4	206				
		18	457.2	339.3	397.2	417.2	307.2	397.2	417.2	196				
		20	508	377.4	448	468.0	345	448	468	176				

Inner rails cannot be pulled out of outer rails. Use M4 Hex Socket Button Screw (P.2-183) or Cross Recessed Pan Head Screws (P.2-217) for mounting rails. For orders larger than indicated quantity, please request a quotation.

Light Load, Three-Step Telescopic Slide Rails

SSRX27
SSRC27
(Interim Hold-Closed Type)



Hold-Closed Type
- Lock is released by applying force of 2kg or more (reference value) in pull direction.
- When the rails are retracted to be stored, the tab snap fit into the plate spring and locks against pull-open direction tentatively. This prevents drawers from opening by vibration.
- To use slide rails in vertical or inclined arrangements, use additional external structures to prevent rails from falling.

Material: Rail 1.4301/X5CrNi18-10
Ball 1.4125/X105CrMo17

Part Number	Type	No.	Rail Length	Stroke	A	B	Load Rating (N/2 pcs)	SSRX27		SSRC27	
								€ Unit Price	Volume Discount	€ Unit Price	Volume Discount
								1 ~ 5 pcs	6 ~ 19 pcs	1 ~ 5 pcs	6 ~ 19 pcs
		08	203.2	225.2	143.2	163.2	373				
		10	254	276.0	194	214.0	363				
		12	304.8	326.8	244.8	264.8	353				
		14	355.6	377.6	295.6	315.6	333				
		16	406.4	428.4	346.4	366.4	313				
		18	457.2	479.2	397.2	417.2	294				
		20	508	530.0	448	468.0	275				

Inner rails cannot be pulled out of outer rails. Use M4 Hex Socket Button Screw (P.2-183) or Cross Recessed Pan Head Screws (P.2-217) for mounting rails. For orders larger than indicated quantity, please request a quotation.

Slide Rails

Load Rating: 245N ~ 588N/2 pcs.

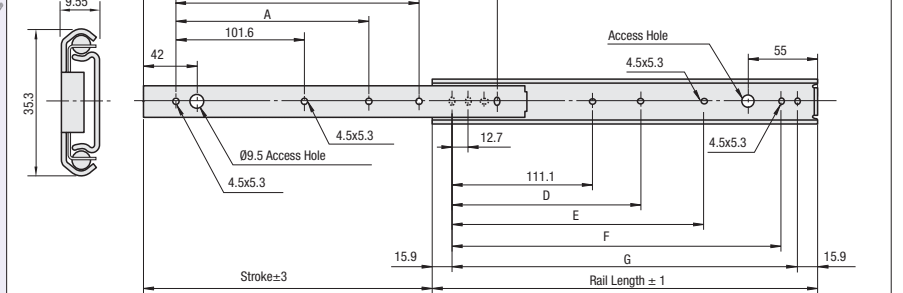
-Stainless Steel · Medium Load-

CAD Data

Features: The rails use 1.4301/X5CrNi18-10 with excellent corrosion-resistance.

Medium Load, Two-Step Telescopic Slide Rails

SSRN36



Inner and outer rails are not exchangeable.

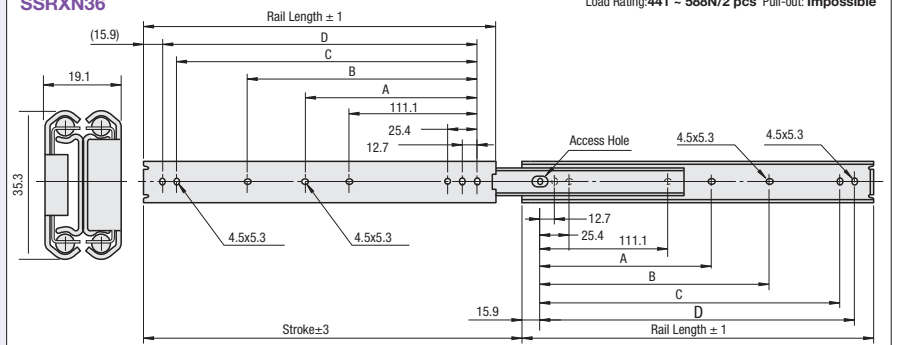
Material: Rail 1.4301/X5CrNi18-10
Ball 1.4125/X105CrMo17

Part Number	Type	No.	Rail Length	Stroke	A	B	C	D	E	F	G	Load Rating (N/2 pcs)	€ Unit Price		Volume Discount	
													1 ~ 3 pcs	4 ~ 19 pcs	1 ~ 3 pcs	4 ~ 19 pcs
		12	304.8	228.6	-	152.4	254	-	149.2	260.3	273	481				
		14	355.6	279.4	-	203.2	304.8	-	200	311.1	323.8	461				
		16	406.4	304.8	-	254	355.6	-	250.8	361.9	374.6	422				
		18	457.2	330.2	203.2	-	406.4	212.7	301.6	412.7	425.4	402				
		20	508.0	381	228.6	-	457.2	238.1	352.4	463.5	476.2	363				
		22	558.8	406.4	254	-	508	263.5	403.2	514.3	527	333				
		24	609.6	431.8	279.4	-	558.8	288.9	454	565.1	577.8	294				
		26	660.4	482.6	304.8	-	609.6	314.3	504.8	615.9	628.6	265				
		28	711.2	508	330.2	-	660.4	339.7	555.6	666.7	679.4	245				

Inner rails cannot be pulled out of outer rails. Please use M4 Cross Recessed Pan Head Screws (P.2-217) for mounting rails. For orders larger than indicated quantity, please request a quotation.

Medium Load, Three-Step Telescopic Slide Rails

SSRXN36



Material: Rail 1.4301/X5CrNi18-10
Ball 1.4125/X105CrMo17

Part Number	Type	No.	Rail Length	Stroke	A	B	C	D	Load Rating (N/2 pcs)	€ Unit Price		Volume Discount	
										1 ~ 5 pcs	6 ~ 19 pcs	1 ~ 5 pcs	6 ~ 19 pcs
		12	304.8	327.2	-	149.2	260.3	273	588				
		14	355.6	378	-	200	311.1	323.8	578				
		16	406.4	428.4	-	250.8	361.9	374.6	559				
		18	457.2	479.2	212.7	301.6	412.7	425.4	549				
		20	508.0	530	238.1	352.4	463.5	476.2	529				
		22	558.8	580.8	263.5	403.2	514.3	527	500				
		24	609.6	631.6	288.9	454	565.1	577.8	480				
		26	660.4	682.4	314.3	504.8	615.9	628.6	461				
		28	711.2	733.2	339.7	555.6	666.7	679.4	441				

Three-stage drawers can be pulled out to the end. The rails can not be pulled apart. Please use M4 Cross Recessed Pan Head Screws (P.2-217) for mounting rails. For orders larger than indicated quantity, please request a quotation.

Order Example Part Number **SSRY2718** Days to Ship **6 Days** P.87

Order Example Part Number **SSRN3628** Days to Ship **6 Days** **2 Days** P.87

Slide Rails Load Rating: 275N ~ 461N/2 pcs.

-Steel, Light Load, Medium Load, Three-Step-

CAD Data

Features: The rails are trivalent chrome coated steel. The Slide Rails are economical and environmentally friendly.

Light Load, Three-Step Telescopic Slide Rails **SRXY27** Load Rating: 275 ~ 373N/2 pcs Pull-out: Impossible

Material: Steel
Surface Treatment: JIS STKM Bright Chromate (Trivalent Chromium)

Part Number Type	No.	Rail Length	Stroke	A	B	Load Rating (N/2 pcs)	€ Unit Price		Volume Discount
							1 ~ 5 pcs	6 ~ 19 pcs	
SRXY27	20	200	228.8	140	160	373			
	25	250	276.2	190	210	363			
	30	300	327.2	240	260	353			
	35	350	376.4	290	310	333			
	40	400	425.6	340	360	314			
	45	450	474.8	390	410	294			
50	500	524.0	440	460	275				

Three-stage Drawer Type. The rails can not be pulled apart. For orders larger than indicated quantity please request a quotation. When use M4 Hex Socket Button Screw (P2-183) or Cross Recessed Oan Head Screws (P2-217) for mounting rails.

Medium Load, Three-Step Telescopic Slide Rails **SRX36** Load Rating: 294 ~ 461N/2 pcs Pull-out: Impossible

Material: Steel
Surface Treatment: JIS STKM Bright Chromate (Trivalent Chromium)

Part Number Type	No.	Rail Length	Stroke	A	B	C	D	Load Rating (N/2 pcs)	€ Unit Price		Volume Discount
									1 ~ 5 pcs	6 ~ 19 pcs	
SRX36	12	305	324.2	-	149.2	260.3	273	461			
	14	356	375.4	-	200	311.1	323.8	431			
	16	406	424.6	-	250.8	361.9	374.6	412			
	18	457	475.8	212.7	301.6	412.7	425.4	392			
	20	508	527	238.1	352.4	463.5	476.2	373			
	22	559	578.2	263.5	403.2	514.3	527	353			
	24	610	629.4	288.9	454	565.1	577.8	333			
	26	660	678.6	314.3	504.8	615.9	628.6	304			
28	711	729.8	339.7	555.6	666.7	679.4	294				

Three-stage drawers can be pulled out to the end. The rails can not be pulled apart. For orders larger than indicated quantity please request a quotation. When use M4 Hex Socket Button Screw (P2-183) or Cross Recessed Oan Head Screws (P2-217) for mounting rails.

Order Example Part Number **SRXY2735** **SRX3624** Days to Ship **8 Days** **2 Days** **6 Days** **2 Days** P. 87 Express A 5,00 EUR/ piece P. 88 A Express Charge of 13,50 EUR is applied for 3 or more identical pieces.

Slide Rails Load Rating: 355N ~ 843N/2 pcs.

-Steel, Heavy Load, Three-Step · Lock Mechanism · Detachable-

CAD Data

Features: Lockable Slide Rails in Full Open state. For usage examples, please see P604

Heavy Load, Three-Step Telescopic Slide Rails **SRR36** (Lock Mechanism Type) Load Rating: 355 ~ 623N/2 pcs Pull-out: Possible

Material: Steel
Surface Treatment: JIS STKM Bright Chromate (Trivalent Chromium)

Part Number Type	No.	Rail Length	Stroke	A	B	C	D	E	F	Load Rating (N/2 pcs)	€ Unit Price		Volume Discount
											1 ~ 5 pcs	6 ~ 19 pcs	
SRR36	12	305	327.2	-	-	-	260.3	273	-	623			
	14	356	377.9	-	-	298.4	311.1	323.8	-	586			
	16	406	428.7	-	-	349.2	361.9	374.6	250.8	555			
	18	457	479.5	212.7	-	400	412.7	425.4	301.6	516			
	20	508	530.3	238.1	365.1	450.8	463.5	476.2	352.4	476			
	22	559	581.2	263.5	415.9	501.6	514.3	527	403.2	444			
	24	610	631.9	288.9	466.7	552.4	565.1	577.8	454	413			
	26	660	682.7	314.3	517.5	603.2	615.9	628.6	504.8	382			
28	711	733.5	339.7	568.3	654	666.7	679.4	555.6	355				

When use M4 Hex Socket Button Screw (P2-183) or Cross Recessed Oan Head Screws (P2-217) for mounting rails. For orders larger than indicated quantity please request a quotation.

Heavy Load, Three-Step Telescopic Slide Rails **SRH150** **SRRH150** (Detachable) Load Rating: 608 ~ 843N/2 pcs Pull-out: Impossible

Material: Steel
Surface Treatment: JIS STKM Bright Chromate (Trivalent Chromium)

Part Number Type	No.	Rail Length	Stroke	SRH150		SRRH150		C	D	E	F	G	Load Rating (N/2 pcs)	SRH		SRRH	
				A	B	A	B							€ Unit Price	Vol. Discount	€ Unit Price	Vol. Discount
SRH150	12	305	330.2	76.2	177.8	76.2	-	254	76.2	190.5	241.3	266.7	843				
	14	356	381	101.6	203.2	127	-	304.8	88.9	215.9	292.1	317.5	814				
	16	406	431.8	127	228.6	152.4	317.5	355.6	127	241.3	342.9	368.3	765				
	18	457	482.6	127	279.4	177.8	368.3	406.4	127	292.1	393.7	419.1	726				
	20	508	533.4	152.4	304.8	152.4	419.1	457.2	152.4	317.5	444.5	469.9	706				
	22	559	584.2	177.8	330.2	177.8	469.9	508	177.8	342.9	495.3	520.7	686				
	24	610	635	177.8	381	177.8	520.7	558.8	177.8	393.7	546.1	571.5	657				
	26	660	685.8	203.2	406.4	203.2	571.5	609.6	203.2	419.1	596.9	622.3	628				
28	711	736.6	228.6	431.8	228.6	622.3	660.4	228.6	444.5	647.7	673.1	608					

SRH150 Rails can not be pulled apart. SRRH150 can be pulled apart by pushing the disconnect spring. When use M4 Hex Socket Button Screw (P2-183) or Cross Recessed Oan Head Screws (P2-217) for mounting rails. For orders larger than indicated quantity please request a quotation.

Order Example Part Number **SRR3620** **SRH15012** **SRRH15028** Days to Ship **8 Days** **2 Days** Express A 5,00 EUR/ piece P. 88 A Express Charge of 13,50 EUR is applied for 3 or more identical pieces.

Slide Rails Load Rating: 355N ~ 1120N/2 pcs.

-Stainless Steel · Heavy Load / Lock Mechanism-

CAD Data

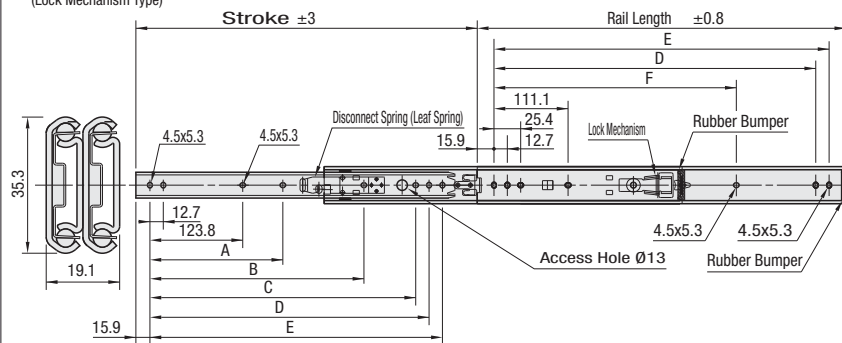
Features: Lockable Slide Rails in Full Open state. For usage examples, please see P.604

Heavy Load, Three-Step Telescopic Slide Rails

SSRR36

(Lock Mechanism Type)

Load Rating: 355 ~ 623N/2 pcs Pull-out: Possible



Lock Mechanism

- Rails lock against retract direction when fully pulled out.
- Lock is released by pressing the disconnect spring, and can be stored or pulled out.
- For internal mechanism, please see P.604

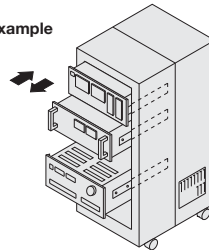
Material: Rail 1.4301/X5CrNi18-10
Ball 1.4125/X105CrMo17

RoHS

Part Number	Rail Length	Stroke	A	B	C	D	E	F	Load Rating (N/2 pcs)	€ Unit Price 1 ~ 5 pcs	Volume Discount 6 ~ 19 pcs
30	300	322.3	-	-	-	255.5	268.2	-	623		
35	350	372.3	-	-	-	292.8	305.5	318.2	-	586	
40	400	422.3	-	-	-	342.8	355.5	368.2	244.4	555	
45	450	472.3	205.5	-	-	392.8	405.5	418.2	294.4	516	
50	500	522.3	230.5	357.1	-	442.8	455.5	468.2	344.4	475	
55	550	572.3	255.5	407.1	-	492.8	505.5	518.2	394.4	444	
60	600	622.3	280.5	457.1	-	542.8	555.5	568.2	444.4	413	
65	650	672.3	305.5	507.1	-	592.8	605.5	618.2	494.4	382	
70	700	722.3	330.5	557.1	-	642.8	655.5	668.2	544.4	355	



Example



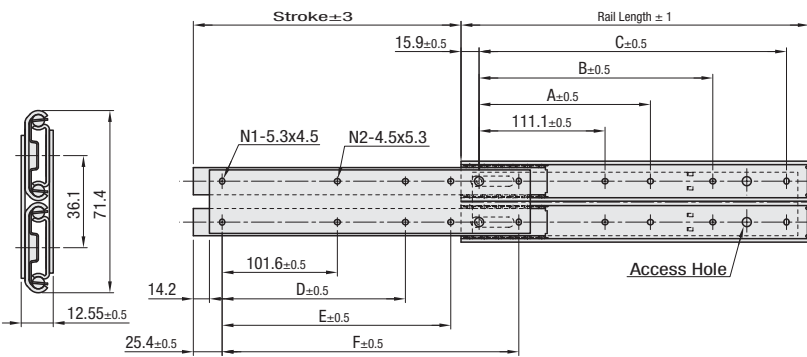
First, pull out the rails, install each rail to joining unit and fit the separated rails together before installation.

When use M4 Hex Socket Button Screw (P.2-183) or Cross Recessed Oan Head Screws (P.2-218) for mounting rails. For orders larger than indicated quantity, please request a quotation.

Heavy Load, Two-Step Telescopic Slide Rails

SSRRH36

Load Rating: 784 ~ 1120N/2 pcs Pull-out: Impossible



Material: Rail 1.4301/X5CrNi18-10
Ball 1.4125/X105CrMo17

RoHS

Part Number	Rail Length	Stroke	A	B	C	D	E	F	Load Rating (N/2 pcs)	€ Unit Price 1 ~ 5 pcs	Volume Discount 6 ~ 19 pcs
30	304.8	227	-	-	-	149.2	273	-	1120		
35	355.6	278	-	-	-	200	323.8	-	1070		
40	406.4	303	-	-	-	250.8	374.6	-	1020		
45	457.2	354	212.7	-	-	301.6	425.4	203.2	1000		
50	508	367	238.1	-	-	352.4	476.2	228.6	971		
55	558.8	430	263.5	-	-	403.2	527.0	254	922		
60	609.6	456	288.9	-	-	454.0	577.8	279.4	873		
65	660.4	468	314.3	-	-	504.8	628.6	304.8	843		
70	711.2	506	339.7	-	-	555.6	679.5	330.2	784		

When use M4 Hex Socket Button Screw (P.2-183) or Cross Recessed Oan Head Screws (P.2-218) for mounting rails. For orders larger than indicated quantity, please request a quotation.

Order Example Part Number **SSRR3630** **SSRRH3665**

Days to Ship **6 Days** P.87

Slide Rails Load Rating: 255N ~ 686N/2 pcs.

-Stainless Steel · Retainer-

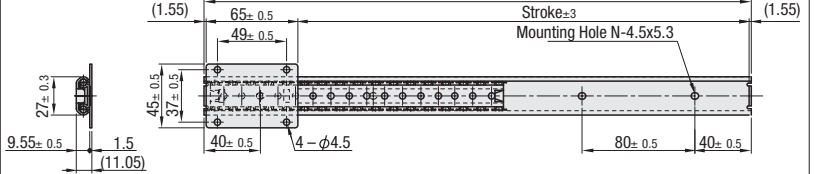
CAD Data

Features: Accurate reciprocating motion is possible with the sliders always kept by the retainers.

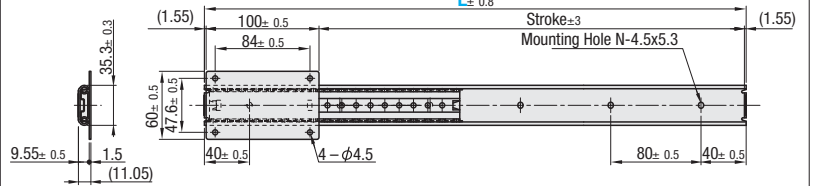


Part	Material
Slider	1.4301/X5CrNi18-10
Ball	1.4125/X105CrMo17
Rail	1.4301/X5CrNi18-10

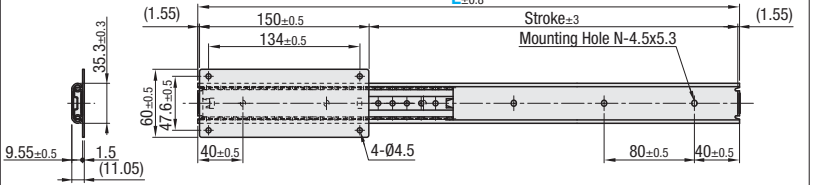
KSRT45



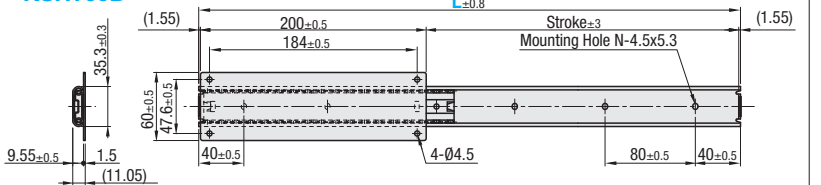
KSRT60



KSRT60A



KSRT60B



Part Number	Type	No.	Selectable L	Stroke				No. of Mounting Holes				€ Unit Price				
				KSRT45	KSRT60	KSRT60A	KSRT60B	KSRT45	KSRT60	KSRT60A	KSRT60B	KSRT45	KSRT60	KSRT60A	KSRT60B	
KSRT	45	160	1	91.9	56.9	-	-	2	2	-	-					
		240	2	171.9	136.9	86.9	-	3	3	3	-					
		320	3	251.9	216.9	166.9	116.9	4	4	4	4					
		400	4	331.9	296.9	246.9	196.9	5	5	5	5					
		480	5	411.9	376.9	326.9	276.9	6	6	6	6					
		560	6	491.9	456.9	406.9	356.9	7	7	7	7					
	60	640	7	571.9	536.9	486.9	436.9	8	8	8	8					
		720	8	651.9	616.9	566.9	516.9	9	9	9	9					
		800	9	-	696.9	646.9	596.9	-	10	10	10	10				
		880	10	-	776.9	726.9	676.9	-	11	11	11	11				
		960	11	-	856.9	806.9	756.9	-	12	12	12	12				
		1040	12	-	936.9	886.9	836.9	-	13	13	13	13				
60B	1200	13	-	1096.9	1046.9	996.9	-	15	15	15	15					

When use M4 Hex Socket Button Screw (P.2-183) or Cross Recessed Oan Head Screws (P.2-219) for mounting rails. For orders larger than indicated quantity, please request a quotation.

Order Example Part Number **KSRT45** - **L 400**

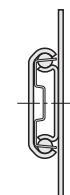
Days to Ship **6 Days** P.87

Price Volume Discount (Round down to one Cent) P.87

Quantity	1-5	6-9	10-20
Rate	€ Unit Price	5%	10%

For orders larger than indicated quantity, please request a quotation.

Load Rating W <Cautions> When using in wall mounting arrangements, please properly place work piece so that no moment load is applied on the slides that may cause damages.



No.	Load Rating (N/2 pcs) W
45	255
60	480
60A	588
60B	686

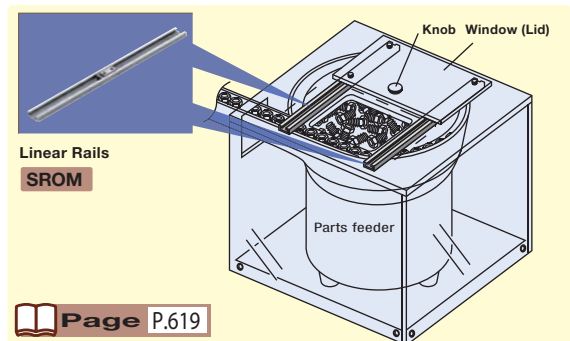
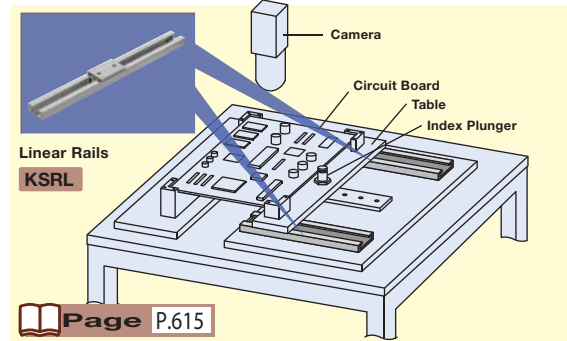


- Features** - Lightweight and compact design.
 - Clearance is made between the slider and the rail.
 - Suitable for manual operation and non-precise positioning.

Page	Type	Picture	Load Rating (N)	Dimension (mm)			Material			Options	
				Rail Length	Width	Height	Slider	Bearing	Rail	Clamper / Quick Retention	Stoppers
P.614	PLRH		80	160~1200	42	12	Steel	Stainless Steel	Stainless Steel	○	○
P.615	KSRL		79	70~1030	30 (37)*	16	Aluminum Alloy / Polyacetal	Steel	Aluminum Alloy	○	○
P.616	KSR		380/460	70~1030	32/33 (38/39)*	13/16	Stainless Steel	Stainless Steel	Stainless Steel	○	○
P.617	JKSG		49~99	55~760	20~40	10~24	Aluminum Alloy	Steel	Aluminum Alloy	○	-
P.618	BJKSG		68/147	70~790	30~60	16~28	Steel	Stainless Steel (Balls)	Steel	-	-
P.619	SROM		28/110	90~1040	15/25	8/10	Steel	Polyacetal (Face Contact)	Aluminum Alloy	-	○
P.620	RSR		80/150	160~1800	42/64	12/16.2	Stainless Steel / Steel	Polyacetal / JIS SMF5040 ~C43 (Rollers)	Aluminum Alloy / Steel	-	○

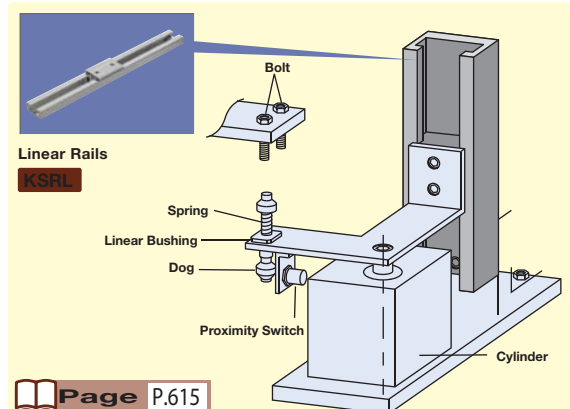
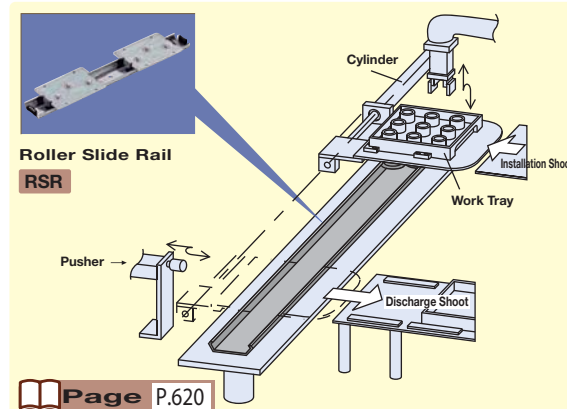
* Values in () are dimensions of clamper-equipped type. (excluding protruding screw)

Example
 Guide for Circuit Board Inspection Unit ● Inexpensive ● Lightweight ▬ Long
 Work Supplying Window of Part Feeder ● Inexpensive ● Lightweight ▬ Long



Guide between Processes ● Inexpensive ● Lightweight ▬ Long

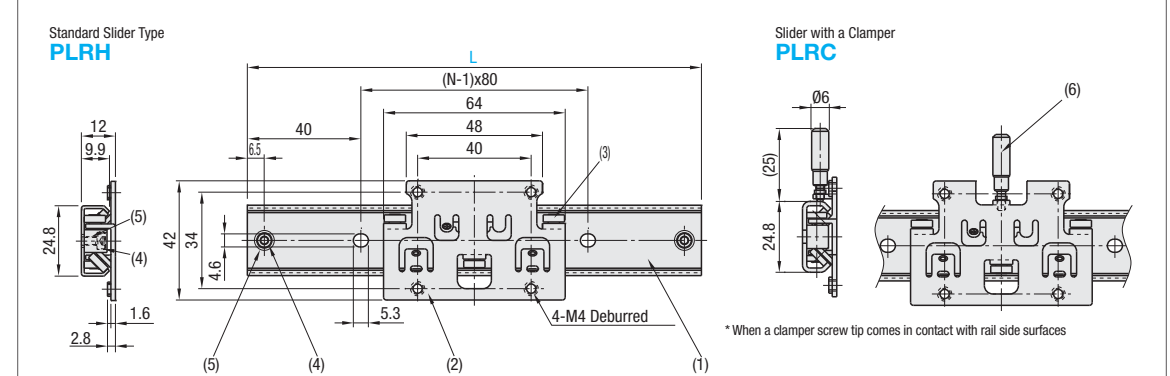
Detection Unit ● Inexpensive ● Lightweight ▬ Long



Features: Adopted stainless material offers excellent corrosion-resistance, and applied preload enables smooth driving without vibration.

Standard Slider Type	Type Set		Part	Material	Surface Treatment
	Slider with a Clamper	Standard Type 1pc. + Type with a Clamper 1pc.			
PLRH (Slider 1 pc.) PLR2H (Sliders 2 pcs.)	PLRC (Slider 1 pc.) PLR2C (Sliders 2 pcs.)	PLR2HC (Sliders 2 pcs.)	(1) Rail (2) Slider Plate (3) Bearing (4) M3x6 Screw with a Hex Socket (5) Fall-off Prevention Stopper (6) Clamper (Tip : Polyacetal)	1.4016/6(B)Cr17 JIS SECC 1.4125X105CrMn17 1.4567/3020CrNi18-9-4 Polyacetal 1.4301/30CrNi18-10	- Electroless Nickel Plating - - - -

⊙Pre-load is adjusted with a rail and slider in a set.
 ⊙Rails and sliders are non-interchangeable. ⊙Slider rail is not provided separately, as a single unit.
 Allowable Temperature: 10 ~ 60°C



Part Number	L	Installation Hole Qty. N	€ Unit Price				
			PLRH25	PLRC25	PLR2H25	PLR2C25	PLR2HC25
Slider Standard	160	2					
PLRH (Slider 1 pc.)	240	3					
PLR2H (Sliders 2 pcs.)	320	4					
	400	5					
	480	6					
Slider With Clamper	560	7					
PLRC (Slider 1 pc.)	640	8					
PLR2C (Sliders 2 pcs.)	720	9					
	800	10					
	880	11					
Standard Slider 1pc. + Clamper 1pc.	960	12					
PLR2HC (Sliders 2 pcs.)	1040	13					
	1200	15					

Load Rating

No.	25			
Load Direction	Pa	Pb	Pc	Pd
Static Load Rating	200N	100N	100N	50N
Dynamic Load Rating	80N	30N	20N	10N
Clearance (mm)	0	0	0	0

* Values above are for one slider.
 * Allowable Moment Load (N·cm) = Load Rating x 30% (Reference Value)
 * Clearance values are at the time of shipping.
 * Load-induced ball bearing elastic deformation may increase preload more than 0. For load and displacement information, please access our web site.

Order Example

Part Number - L
PLRH25 - 640
PLRC25 - 640

Days to Ship **6 Days** P.87

Other than listed on the left **8 Days**

Price

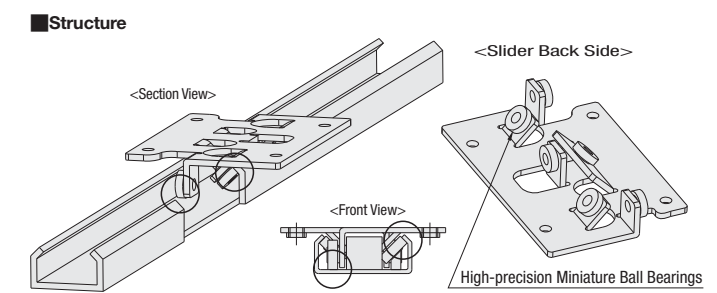
Quantity	1-5	6-9	10-20
Rate	€ Unit Price	5%	10%

⊙For orders larger than indicated quantity, please request a quotation.

<Features>
 Low-cost preload is realized with original preload structure and high-precision press technology, although it was difficult for conventional products. Compared with conventional products, this enables lighter load and smoother transfer and positioning guide performance.

<Structure>
 This adopts a slider equipped with original triangular supporting structure, using 6 high-precision ball bearings. All products are shipped with its rail and slider clearances adjusted, and preload applied.

<Cautions>
 When using in wall mounting arrangements, please properly place work piece so that no moment load is applied on the slides that may cause damages. To use linear rails in vertical or inclined states, provide them with external structures to prevent blocks from falling off.



Maintenance (Grease Application)
 Grease forms oil film on the outer ring of bearings and internal rail surfaces to prevent rail wear. Please lubricate rail interior surfaces (bearing running surface) with urea-based grease meeting usage conditions, as needed. Preloaded linear rail type is shipped with rails lubricated. When at a low speed and for low precision applications, this can be used with no grease applied.